

Rotating cleaning nozzle MaxiSpinner 2 Series 5M4



Features:

- Hygienic design
- Suitable for high temperatures
- Completely made of stainless steel 1.4404 (316L) or 2.4602 (Alloy 22)



Function video
www.lechler.com/de-en/medialibrary/videos-general-industry
 Or scan the QR code.

Series 5M4

Technical data:



Maximum operating temperature
 200 °C
 95 °C (ATEX)



Maximum ambient temperature
 250 °C
 200 °C (ATEX)



Installation
 Operation in every installation position



Bearing
 Double ball bearing made of stainless steel 1.4404 (316L) or 2.4602 (Alloy 22)



Material
 Stainless steel 1.4404 (316L) or 2.4602 (Alloy 22)



Weight
 1.1–1.5 kg



Surface quality
 $Ra \leq 0.4 \mu m$
OUTSIDE



Surface quality
 $Ra \leq 0.8 \mu m$
INSIDE



Steam suitability
 Conditionally suitable



Insertion diameter
 69 mm



Recommended filter
 Line strainer with a mesh size of 0.1 mm/170 mesh



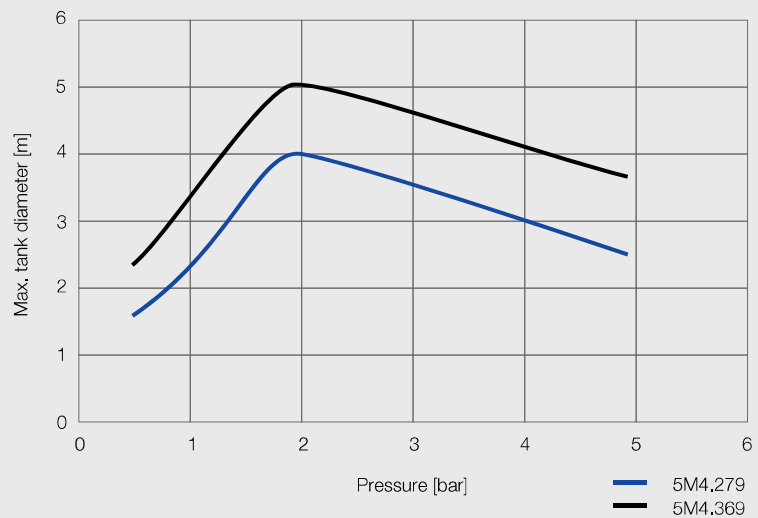
Recommended operating pressure
 2 bar



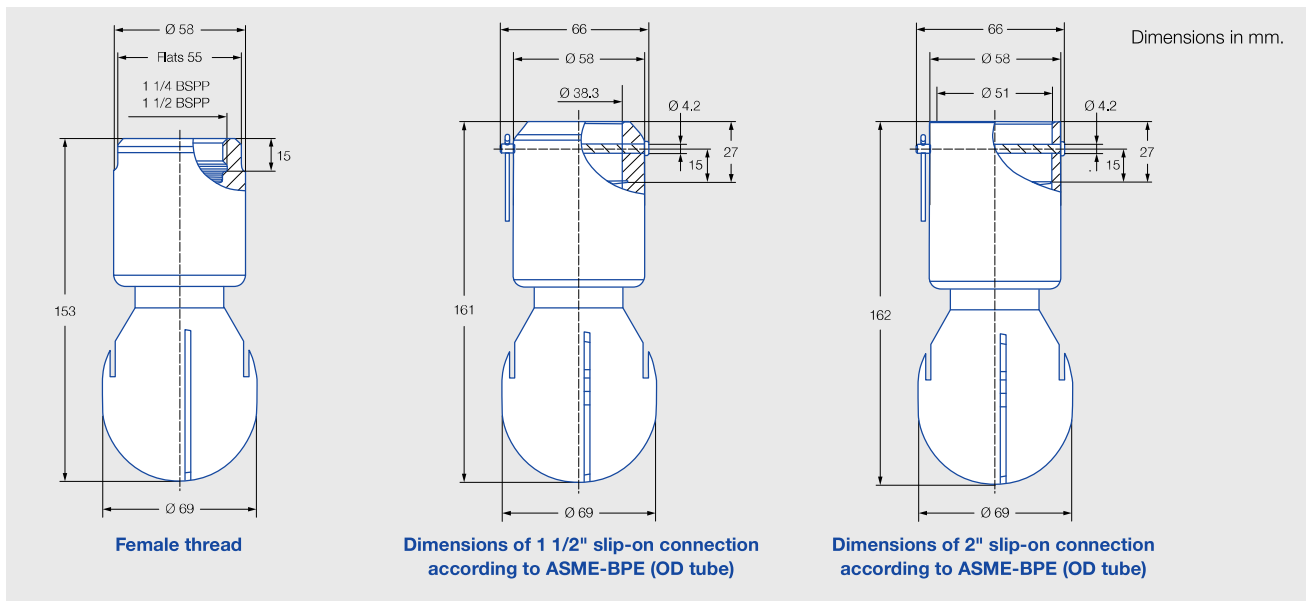
Adapter
 1 1/4 BSPP and 1 1/2 BSPP are compatible with HygienicFit



Max. tank diameter
 The specified maximum tank diameter applies to the recommended operating pressure and is indicative only. The type of soiling is also decisive for the cleaning result.



Overview of maximum tank diameter depending on pressure



Spray angle	Ordering no.							Narrowest cross-section Ø [mm]	V̇ water [l/min]			V̇ water at 2 bar [m³/h]	Max. tank diameter [m]
	Type	Mat. no.		Connection					p [bar] (p _{max} = 7 bar) ¹				
		1Y 1.4404 (316L)	21 2.4602 (Alloy 22)	1 1/4 BSPP	1 1/2 BSPP	1 1/2" slip-on connection	2" slip-on connection		1.0	2.0	3.0		
180° 	5M4.253	●	●	AQ	AS	TF15	TF20	1.8	95	135	165	8.1	4.0
180° 	5M4.254	●	●	AQ	AS	TF15	TF20	2.1	95	135	165	8.1	4.0
270° 	5M4.365	●	●	AQ	AS	TF15	TF20	2.5	177	250	306	15.0	5.0
360° 	5M4.279	●	●	AQ	AS	TF15	TF20	1.7	107	150	184	9.0	4.0
	5M4.329	●	●	AQ	AS	TF15	TF20	2.0	141	200	245	12.0	4.5
	5M4.369	●	●	AQ	AS	TF15	TF20	2.3	177	250	306	15.0	5.0

¹ Please note the maximum operating pressure of 4 for the 2" slip-on connection variant. NPT threads and weld-on version on request.

Information on operation

Compressed air can be used only for a short time for blowing dry. Use above the recommended pressure will have a negative effect on the cleaning result and wear.

Information on slip-on connection

- Bolt with head incl. cotter pin made of 1.4404 (316L) included (ordering no. 05M.431.1Y.00.00). For version made of 2.4602 (Alloy 22), bolt with head incl. cotter pin included (ordering no. 05M.431.21.00.00).
- Depending on the adapter diameter, the flow rate may increase due to the leakage between the adapter and rotating cleaning nozzle.

Ordering example with FDA and (EC) 1935/2004 conformity.

All materials are suitable for contact with food.



Type + Material no. + Connection = Ordering no.
5M4.253 + 1Y + AQ = 5M4.253.1Y.AQ

Ordering example with ATEX approval, FDA and (EC) 1935/2004 conformity.

Unit group/Category/Zones:

- Ex II 1G Ex h IIB T6...T2 Ga
- Ex II 1D Ex h IIIC T85 °C...T250 °C Da

Important

The code for the connection changes for the ATEX version with slip-on connection.

Ordering example for 1 1/2" slip-on connection:
5M4.253.1Y.T5.EX

Ordering example for 2" slip-on connection: 5M4.253.1Y.T6.EX



Type + Material no. + Connection + ATEX = Ordering no.
5M4.253 + 1Y + AQ + EX = 5M4.253.1Y.AQ.EX